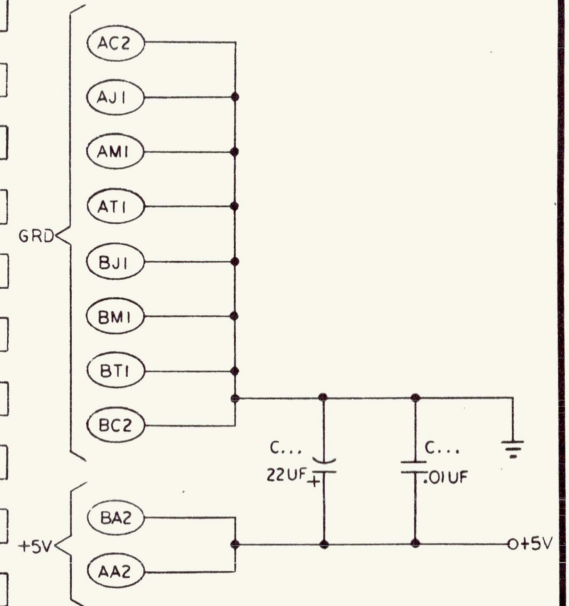
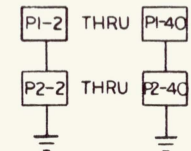


NOTE: UNLESS OTHERWISE SPECIFIED

1. ALL RESISTOR VALUES ARE IN OHMS
2. RESISTORS ARE PACKAGED IN DIPS, SERIES 899-1



DECOUPLING CAPACITORS AS REQUIRED



The material herein contains information that is proprietary and confidential to MDB SYSTEMS INC. and is not to be copied or disclosed for any purpose except as specifically authorized in writing.

MDB SYSTEMS, INC.

TITLE: **MLSI - TEV**

DATE: **JULY 76**

SCALE:

SHEET NO. 1 of 1

DWG. NO.: **40340-000**

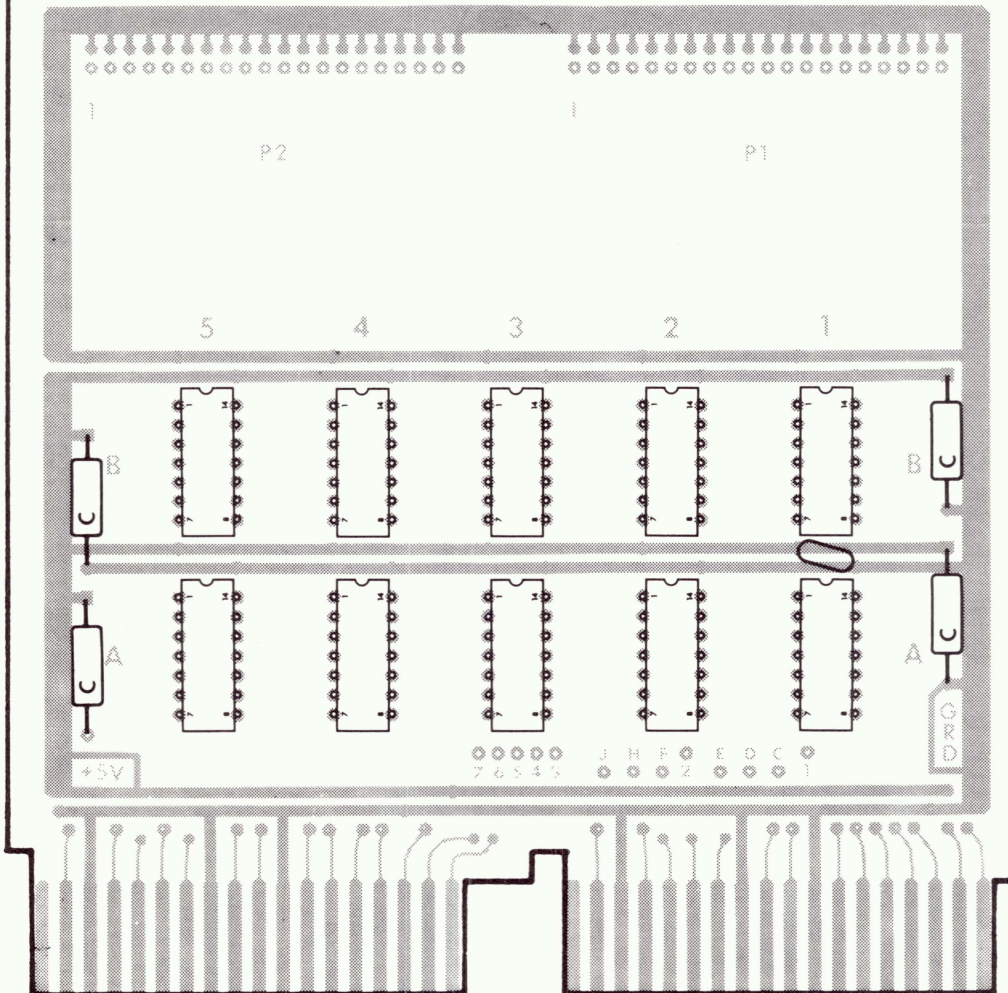
REV. **A**

MOB SYSTEMS, INC.
ORANGE, CA. 92665

MLSI - TEV -
40340-000

REV A

COPYRIGHT © 1976



COMP. SIDE